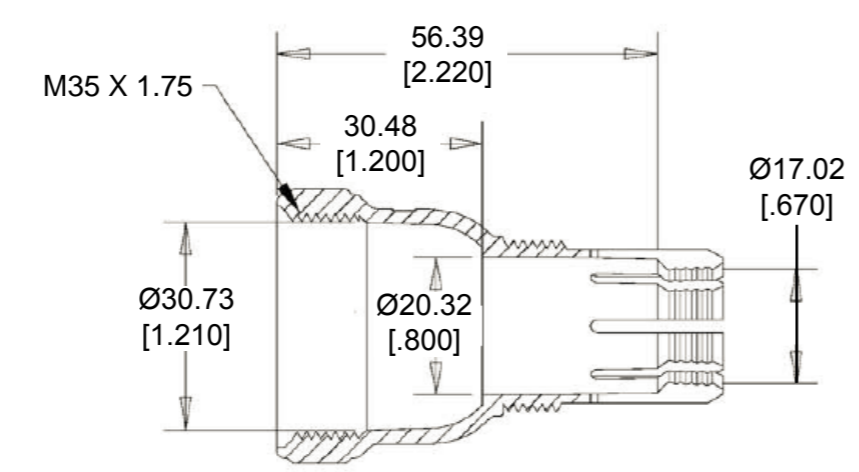
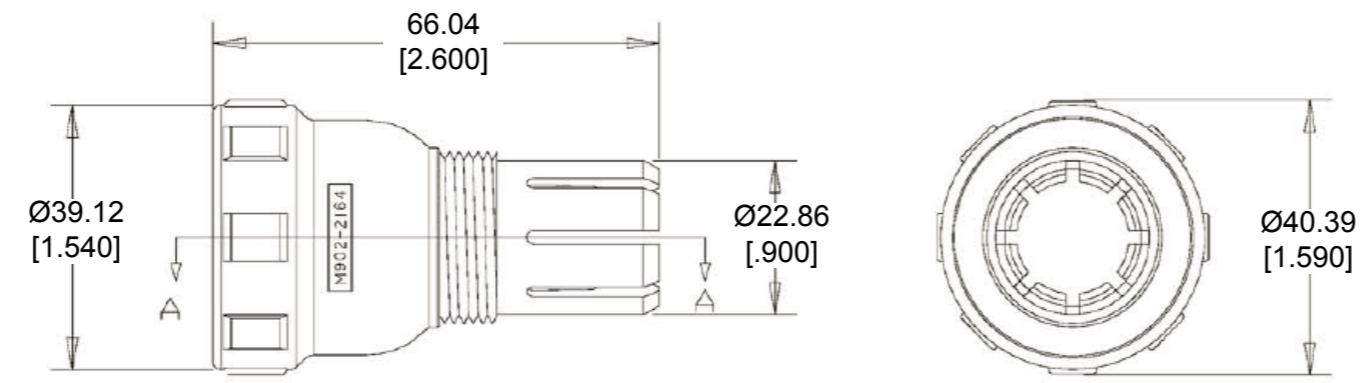


REVISIONS				
P	LTR	DESCRIPTION	DATE	APVD
A		NEW RELEASE PER ECO-14-013596	09-05-14	DM DM



SECTION A-A



Backshell

Compression Nut

- 6. PART NO. M902-2244
- 5. CABLE STRIPPED LENGTH: 63.50 [2.500] MAX.
- 4. CABLE SIZE: Ø.570 - Ø.710
- 3. TEMPERATURE RATING: -40°C TO +134°C [-40°F TO +273°F]
- 2. THIS PART IS USED WITH:
COMPRESSION NUT, M902-2054
- 1. THIS PART IS USED ON
HDP24-18-XXX-L015 RECEPTACLES
HDP26-18-XXX-L015 PLUGS
HDP24-24-XXX-L015 RECEPTALCES
HDP26-24-XXX-L015 PLUGS
SEE INVIDUAL CUSTOMER DRAWINGS

THIS DRAWING IS A CONTROLLED DOCUMENT.		DWN D. MEYER 05SEP2014		
DIMENSIONS: MM [INCH]		CHK I. GRANTCHAROVA 05SEP2014		
TOLERANCES UNLESS OTHERWISE SPECIFIED:		APVD D. MEYER 05SEP2014	NAME BACKSHELL, SIZE 18, 24 -L015 MOD CABLE SIZE: Ø.570 - Ø.710 HDP20 SERIES	
		PRODUCT SPEC	SIZE A3 CAGE CODE 4AFU8 DRAWING NO. M902-2244 RESTRICTED TO -	
MATERIAL PC/PBT		APPLICATION SPEC	WEIGHT 18.64 g	
FINISH BLACK		Customer Drawing	SCALE NONE SHEET 1 OF 1 REV A	